

TECHNICAL BULLETIN – TB009

Affected Part Numbers

All Type R and Type RS Mechanical Drives

A new drive unit 'Universal Mounting Plate' was introduced in October 2011. The new mounting plate was introduced to enable installation of hull attach fasteners using power tools and a more versatile way to mount the drive unit onto suitable hull structure. It replaces the legacy rectangular mounting plate and will be supplied from the factory on all future shipments of Type R and RS mechanical drives.

The mounting plate is shipped loose inside the drive carton; fasteners and washers are supplied loosely screwed into the drive housing. There are 2 possible orientations when attaching the mounting plate to the drive. The installer can select the most suitable orientation.

overview



Legacy Mounting Plate



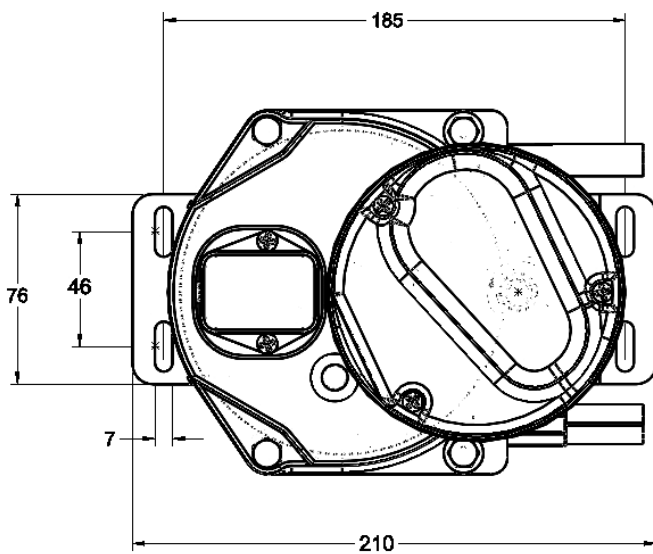
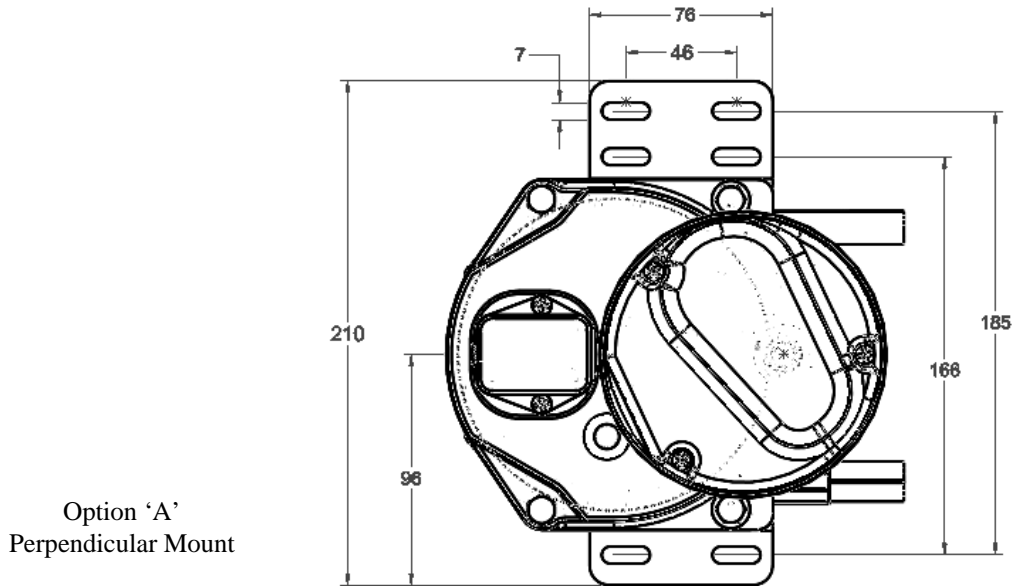
'A' Option
Perpendicular to Steering Cable



'B' Option
Parallel to Steering Cable

TECHNICAL BULLETIN – TB009 – Cont...

UNIVERSAL MOUNTING PLATE DIMENSIONS



TECHNICAL BULLETIN – TB009 – Cont...

MOUNTING PLATE ASSEMBLY PROCEDURE

(Option 'A' perpendicular Mount Shown)

1. Determine Suitable Orientation 'A' or 'B'.
2. Remove supplied fasteners and washers from Drive.
3. Assemble Mounting Plate to Drive and insert fasteners and washers.
4. Torque fasteners to 30-35 IN-LB (3.4 - 4.0 newton metre).

