



# OCTOPUS



## SELECTION GUIDE

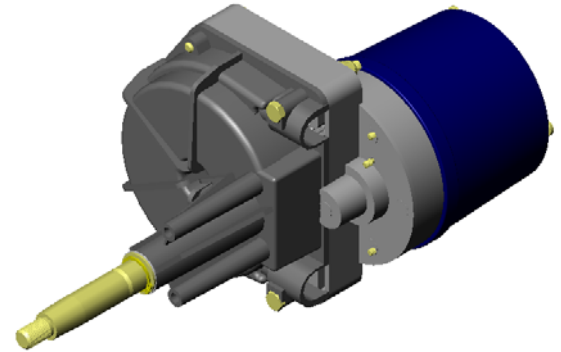
### DRIVE UNITS – CONNECTION KITS & ACCESSORIES – ROTARY MECHANICAL DRIVE

#### A. Drive Units

##### i. Behind the Dashboard

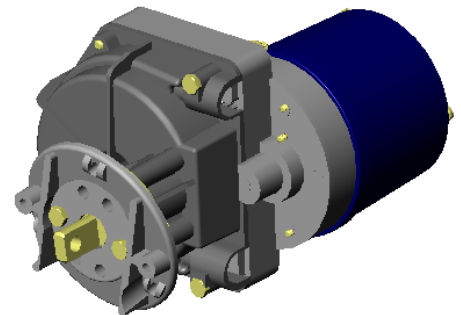
Straight Shaft with Rudder Feed Back  
Straight Shaft without Rudder Feed Back

Order AFMDMSRW  
Order AFMDMSW



Tilt Shaft with Rudder Feed Back  
Tilt Shaft without Rudder Feed Back

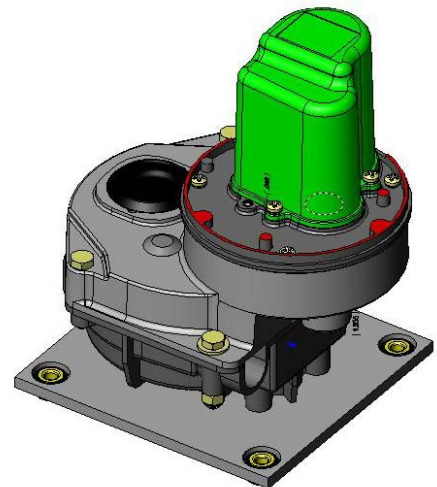
Order AFMDTPRW  
Order AFMDTPW



##### ii. Remote

Remote with Rudder Feed Back  
Remote without Rudder Feed Back

Order AFMDRERW  
Order AFMDREW



**FROM OCTOPUS – A division of Canada Metal Pacific Ltd - Vancouver Canada  
TEL 604 940 2010 - FAX 604 952 2650**

**DRIVE UNITS – CONNECTION KITS & ACCESSORIES – ROTARY MECHANICAL DRIVE**  
**SELECTION GUIDE (continued)**

**B. Accessories For All – Rotary Mechanical Drive Units**

i. Rudder Feed Back Potentiometer Module - Order 15SUK06 or A thru H  
 (Specify the Autopilot Model & Manufacturer)



ii. Steering Cables – When replacing steering cable on Behind the Dashboard drives or selecting new cable for Remote Drive installation order Teleflex Part # SSC52-XX (length in feet) generally available from marine mechanical steering wholesale. Or order OC15109-XX (length in feet) from Octopus.

**C. Accessories for – Behind the Dashboard – Rotary Mechanical Drive Units**

i. Retro-fit Helm Housings



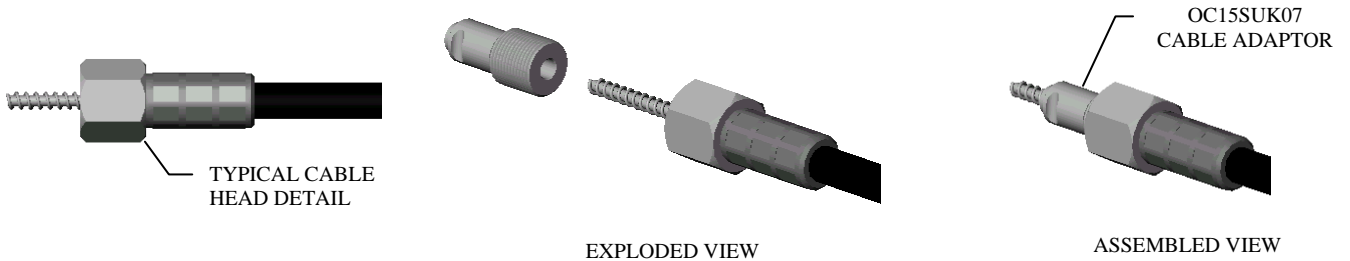
For Morse Tilt Mechanism  
 Order OC15SUK02 Helm Kit



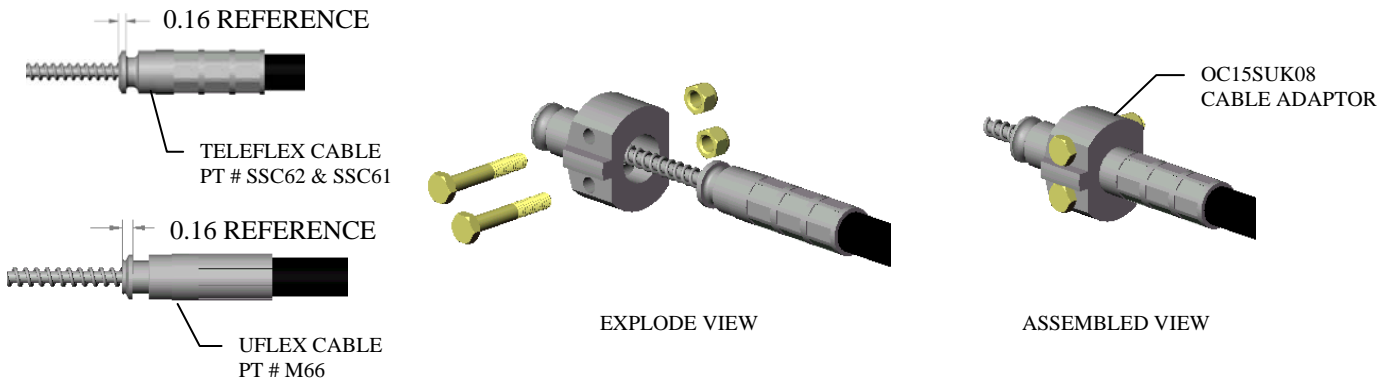
For TFX Standard Tilt Mechanism  
 Order OC15SUK03 Helm Kit

ii. Steering Cable Adaptors

a. For Morse Cable Pt # 304415 or Teleflex Cable Pt # SSC72 or Uflex Cable Pt # M47 - Order OC15SUK07



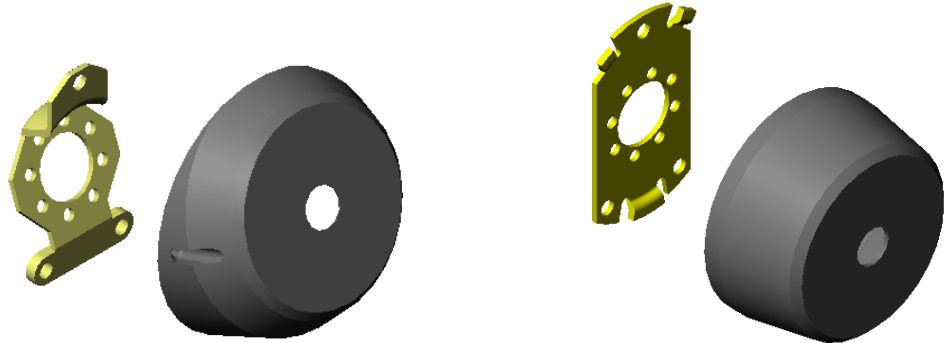
b. For Teleflex Cable Part # SSC62 & SSC61 or Uflex Cable Part # M66. - Order 15SUK08



**FROM OCTOPUS – A division of Canada Metal Pacific Ltd - Vancouver Canada**  
**TEL 604 940 2010 - FAX 604 952 2650**

**DRIVE UNITS – CONNECTION KITS & ACCESSORIES – ROTARY MECHANICAL DRIVE**  
SELECTION GUIDE (continued)

iii. Bezel + Mounting Hardware Kits



20 Degree Bezel Kit &  
Order OC15SUK09

90 Degree Bezel Kit &  
Order OC15SUK10

iv. Adjustable Friction Brake



For Straight Shaft Drive  
With 90 degree Bezel Kit  
Order OC15SUK11

v. Helm Spacer + Mounting Hardware Kits



For 90 degree Mount  
Order OC15SUK16



For 20 degree Mount  
Order OC15SUK17



For TFX Performance Tilt Mount  
Order OC15SUK18

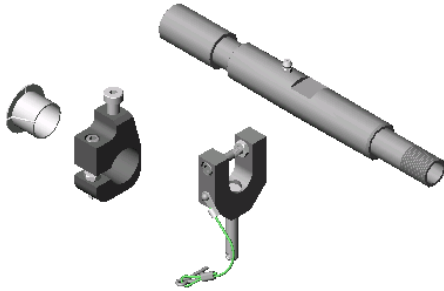
**FROM OCTOPUS – A division of Canada Metal Pacific Ltd - Vancouver Canada**  
**TEL 604 940 2010 - FAX 604 952 2650**

**DRIVE UNITS – CONNECTION KITS & ACCESSORIES – ROTARY MECHANICAL DRIVE**  
**SELECTION GUIDE (continued)**

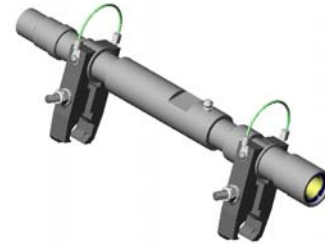
**D. Accessories for – Remote – Rotary Mechanical Drive Units**

Note that all the connection kits shown in section D require the addition of a Steering Cable of the appropriate length. See section B ii for ordering information.

**i. Multi I/O Connection Kits for Second Steering Cable Connection to Sterndrive**



**Type B – Multi I/O Connection Kit**  
 Suitable For All  
 Mercruiser Sterndrives from 1994  
 Volvo Diesel SX Sterndrives from 1997  
 Volvo Gasoline SX & DP Sterndrives from 1997  
 See Application Chart - Order OC15SUK12B



**Type C – Multi I/O Connection Kit**  
 Suitable For All  
 Mercruiser Sterndrives from up to 1993  
 Volvo Diesel DP Sterndrives from 1994  
 (Mainly European Market)  
 See Application Chart - Order OC15SUK12C



**ii. O/B Connection Kit for Second Steering Cable Connection to Outboard**



Suitable for most Yamaha Engines  
 See Application Chart  
 Order OC15SUK15A

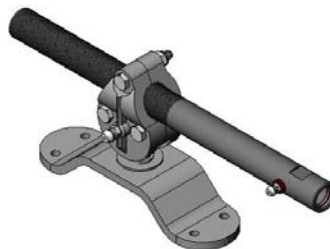


Suitable for most Mercury-Mariner  
 & Suzuki Engines  
 See Application Chart  
 Order OC15SUKB



**iii. Universal Connection Kit for Custom Steering Cable Connection to Tiller or Quadrant**

Order OC15SUK19



**FROM OCTOPUS – A division of Canada Metal Pacific Ltd - Vancouver Canada**  
**TEL 604 940 2010 - FAX 604 952 2650**